



PROJECT _____

TYPE _____

NOTES _____

QUANTITY _____

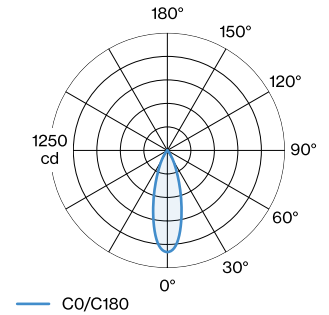
DATE _____



GENERAL

Floor _____
 Recessed _____
 Black Matt _____
 RAL 9005 ^a _____
 IP65 _____
 IK08 _____
 Exterior _____
 410 lm _____
 CIE flux code: 96 99 100 100 _____
 100 _____

LIGHT DISTRIBUTION



LED

3000 K _____
 CRI ≥ 90 _____
 L80 / 50000h _____
 initial MacAdam ≤ 2 SDCM _____

OPTICAL

Standard _____
 beam angle 30° _____

ELECTRICAL

excl. driver _____
 9 V _____
 inset 4.2 W _____
 Class 3 _____

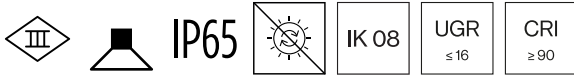
PHYSICAL

diameter 50 mm _____
 height 57 mm _____
 0.32 kg _____

CUTOUT

diameter 50-52 mm _____
 recessed depth 110 mm _____

^a Colour may deviate slightly due to production conditions.



Round floor recessed luminaire made from aluminium and glass; for trimless installation; surface Black Matt; RAL 9005; recessed depth 110 mm; with COB (Chip on Board) technology for maximum efficiency; light colour 3000 K; binning initial MacAdam ≤ 2 SDCM; CRI ≥ 90; beam angle 30°; degree of protection IP65; Class 3; driver not included; optional recessed ground housing available; light source not replaceable;



[721261B5] The technical data represent rated values for an ambient temperature of 25°C. The data values for the luminous flux are initially subject to a tolerance of +/- 10%, those for the electrical connected load are initially subject to a tolerance of +/- 10%, and those for the colour temperature are initially subject to a tolerance of +/- 150 K. No liability is assumed for typographical or printing errors. The general terms and conditions of Wever & Ducré BV apply.

**CONE DIAGRAM**

standard 32°

h (m)	E0° (lx)	ø (m)
1	1080	0.56
2	270	1.13
3	120	1.69
4	70	2.26
5	40	2.82

ELECTRICAL ACCESSORIES**Driver**

Type	Voltage	L·W·H (MM)	Item number
7W 500mA 5-14.5V IP67	5-14.5V	57·41·24	90214301
6.5W 500mA 7-13V phase-cut dim	7-13V	122·41·23	90224301

MOUNTING ACCESSORIES**Ground Housing**

Type	Ø·H (MM)	Item number
MAP 0.6 CHART 0.6 BLINK TRIM TRIMLESS	132·105	90012201